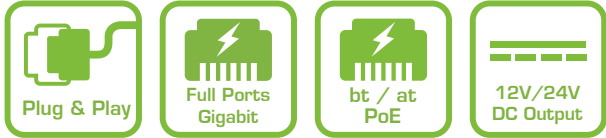


# C62 Ceiling PoE Line

## L2 PRO Ceiling bt PoE Switches



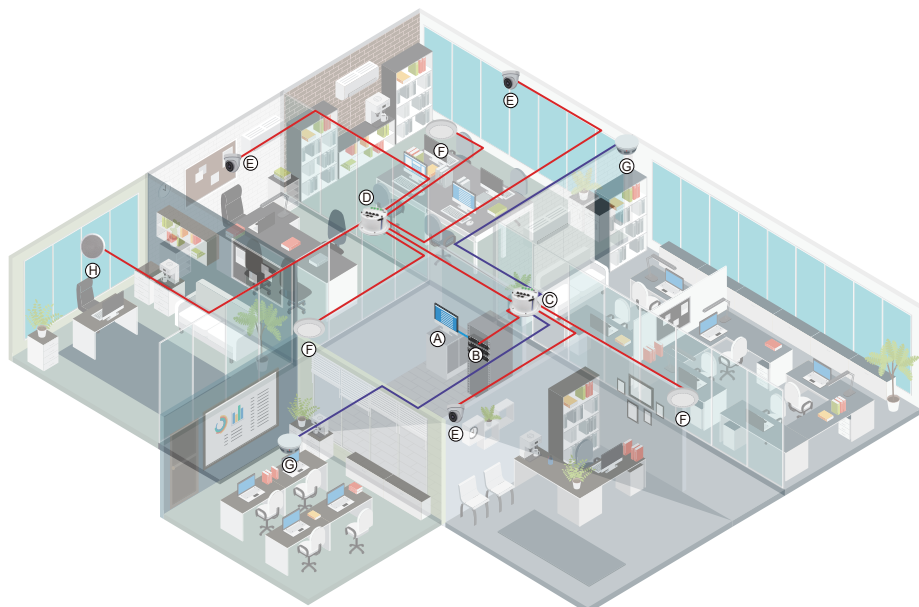
AETEK's managed C62-050-030 Ceiling PoE Switch line with one PoE PD input port, five PoE PSE output ports, and visible LED indicator benefits from low-cost installation quick diagnostic, and low-voltage safety DC power deployment. C62-050-30-B unparallelled daisy-chain PoE feature extends long range PoE up to 300m over cat 5e/cat 6 cable without extra AC/DC power adapter in ceiling. Furthermore C62-050-30-B provides DC 12V & DC 24V output for DC device.

Besides a managed C62 Ceiling PoE line is also an IP camera / wifi ap / network speaker / other IP device controller specially designed for easy overview & management, even if installers is not familiar with advanced software of Managed PoE switch. A centralized Web GUI (Graphic User Interface) makes it easy to find IP camera / wifi ap / network speaker / other IP device and generate topology automatically once IP camera / wifi ap / network speaker / other IP device are connected to C62 Ceiling PoE series. Meanwhile, installers can easily catch comprehensive individual IP camera / wifi ap / network speaker / other IP device information including device list, IP/MAC address, topology, power consumption, and traffic monitoring thru web browser.

### Features

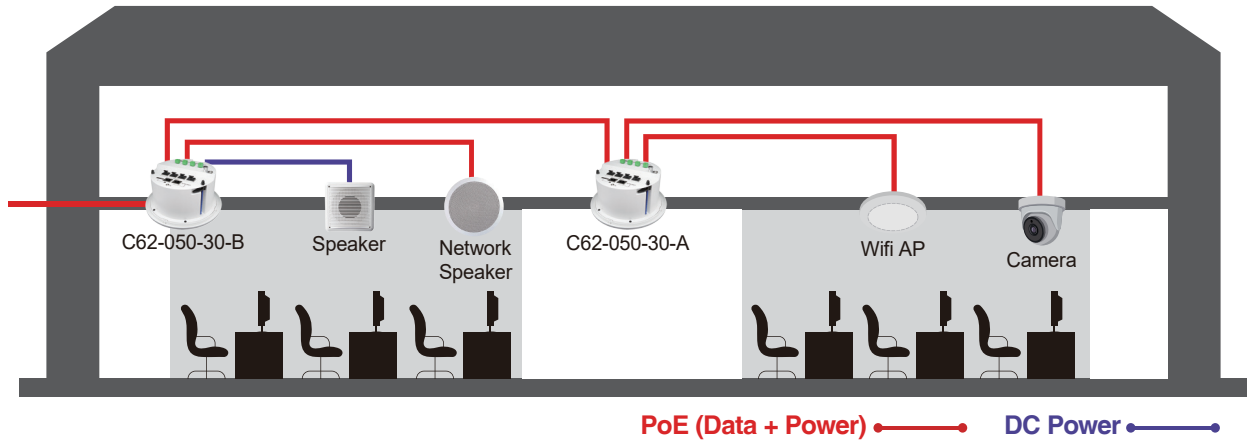
- No costly electrical installation required
- Eliminating conventional electrical supply reducing the fire event in the ceiling
- No need to switch off the power anywhere when PoE or non-PoE device is expanded or changed in ceiling
- Layer 2 Switch
  - 802.1d (STP), 802.1w (RSTP), 802.1s (MSTP)
  - Loop protection
  - SNMP v1/v2c/v3
  - QoS
  - VLAN
- Network Topology System
  - Automatic discovery for ONVIF camera
  - Generates camera topology map automatically
  - Cable diagnostic & reboot camera remotely
  - PoE management
  - Topology view / Floor view
  - Monitor / Configure / Manage ONVIF camera thru web
- Supports 10/100/1000Mbps data rates
- Support Auto-MDI/MDIX
- IEEE 802.3az Energy Efficient Ethernet standard for green power

### Applications



- (A) NMS
- (B) C62-084-91-770
- (C) C62-050-30-B
- (D) C62-050-30-A
- (E) Camera
- (F) Wifi AP
- (G) Smoke / Heat Detector
- (H) Network Speaker

PoE (Data + Power) — DC Power — LAN —



## IP Camera Controller Features

### Device List

Show  entries Search:

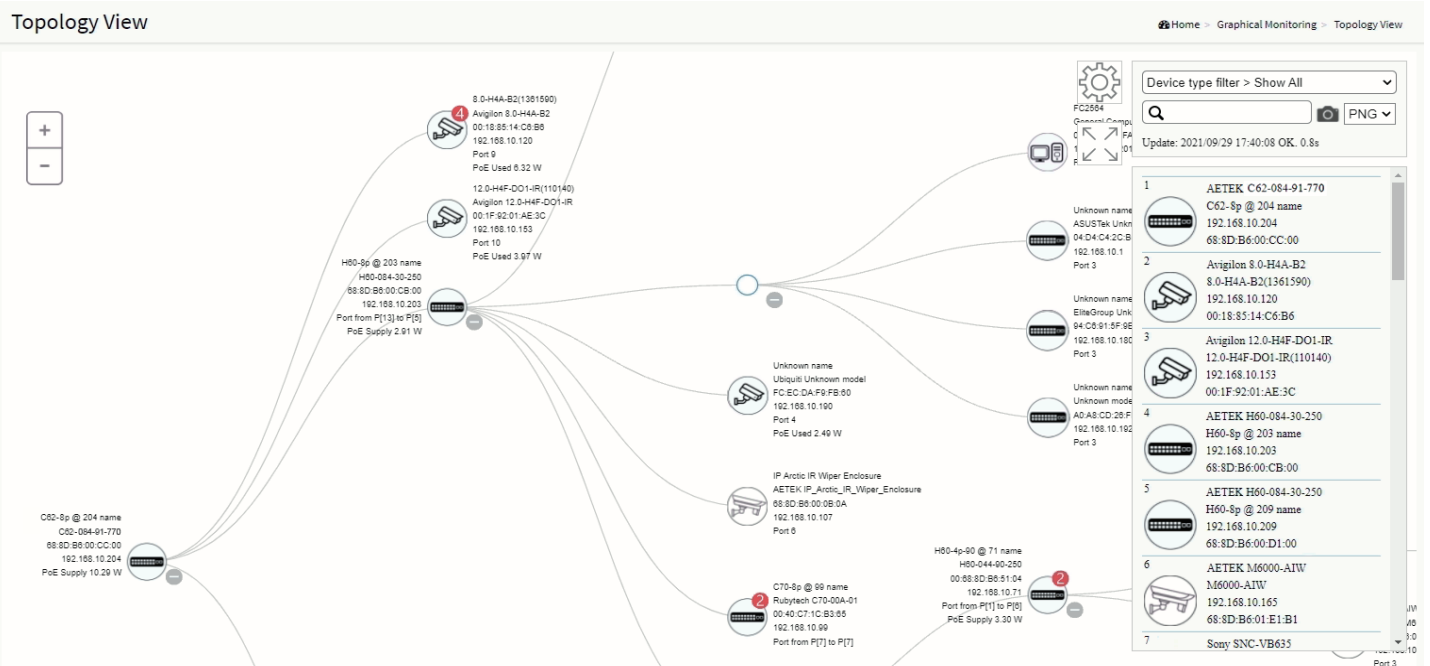
| Status | Device Type | Model Name       | Device Name        | MAC               | IP Address     |
|--------|-------------|------------------|--------------------|-------------------|----------------|
| Online | PoESW       | C62-084-91-770   | C62-8p @ 203 name  | 68:8D:B6:00:CB:00 | 192.168.10.203 |
| Online | PoESW       | H60-084-30-250   | H60-8p @ 209 name  | 68:8D:B6:00:D1:00 | 192.168.10.209 |
| Online | IPMX        | M6000-AIW        | M6000-AIW          | 68:8D:B6:01:E1:B1 | 192.168.10.165 |
| Online | IP Camera   | SNC-VB635        | Sony               | D8:D4:3C:DD:F5:C7 | 192.168.10.122 |
| Online | IP Camera   | WV-S1131         | Panasonic_WV-S1131 | BC:C3:42:71:79:D0 | 192.168.10.104 |
| Online | IPSG        | SD-504           | SD-504             | 68:8D:B6:00:00:01 | 192.168.10.108 |
| Online | PC          | General Computer | FC2564             | 00:50:56:2D:FA:AC | 192.168.10.201 |
| Online | Others      | Unknown model    | Unknown name       | 04:D4:C4:2C:B5:EC | 192.168.10.1   |
| Online | Others      | Unknown model    | Unknown name       | 94:C6:91:5F:9E:EA | 192.168.10.180 |
| Online | PC          | General Computer | MIS-TEMP-NB4       | A0:A8:CD:26:FE:FD | 192.168.10.192 |

Showing 1 to 10 of 29 entries

Previous    Next

[Edit](#)

### Topology View



# Device Dashboard

Topology View

Home > Graphical Monitoring > Topology View

**Device Dashboard**

**Device Type** IP Cameras

**Device Name** 12.0-H4F-DO1-IR(110140)

**Model Name** 12.0-H4F-DO1-IR

**MAC Address** 00:1F:92:01:AE:3C

**IP Address** 192.168.10.153

**Http Port** 80

**PoE Used** 4.21 W

Close Apply

Login Diagnostics PoE Reboot

Dashboard Notification Monitor

Device type filter > Show All

Update: 2021/09/29 17:38:58 OK. 0.9s

- AETEK C62-084-91-770  
C62-8p @ 204 name  
192.168.10.204  
68:8D:B6:00:CC:00
- Avigilon 8.0-H4A-B2  
8.0-H4A-B2(1361590)  
192.168.10.120  
00:18:85:14:C6:B6
- Avigilon 12.0-H4F-DO1-IR  
12.0-H4F-DO1-IR(110140)  
192.168.10.153  
00:1F:92:01:AE:3C
- AETEK H60-084-30-250  
H60-8p @ 203 name  
192.168.10.203  
68:8D:B6:00:CB:00
- AETEK H60-084-30-250  
H60-8p @ 209 name  
192.168.10.209  
68:8D:B6:00:D1:00
- AETEK M6000-AIW  
M6000-AIW  
192.168.10.165  
68:8D:B6:01:E1:B1
- Sony SNC-VB635

# Floor Map View

**Device Dashboard**

**Device Type** PoE Switches

**Device Name** C62-8p-90 @ 73 name

**Model Name** C62-084-91-770

**MAC Address** 00:E0:4C:51:04:0A

**IP Address** 192.168.10.73

**Http Port** 80

**PoE Supply** 0 W

**API Account** admin73

**API Password** passwd73

Close Apply

Login Upgrade PoE Config Diagnostics

Dashboard Notification

Device type filter > Show All

Update: 2021/09/29 17:44:22 OK. 0.7s

- AETEK C62-084-91-770  
C62-8p @ 204 name  
192.168.10.204  
68:8D:B6:00:CC:00
- Avigilon 8.0-H4A-B2  
8.0-H4A-B2(1361590)  
192.168.10.120  
00:18:85:14:C6:B6
- Avigilon 12.0-H4F-DO1-IR  
12.0-H4F-DO1-IR(110140)  
192.168.10.153  
00:1F:92:01:AE:3C
- AETEK H60-084-30-250  
H60-8p @ 203 name  
192.168.10.203  
68:8D:B6:00:CB:00
- AETEK H60-084-30-250  
H60-8p @ 209 name  
192.168.10.209  
68:8D:B6:00:D1:00
- AETEK M6000-AIW  
M6000-AIW

Draggable: ONE

# Cable Diagnostics

**Diagnostics**

**Device Type** IP Cameras

**Device Name** 12.0-H4F-DO1-IR(110140)

**Model Name** 12.0-H4F-DO1-IR

**MAC Address** 00:1F:92:01:AE:3C

**IP Address** 192.168.10.153

| Icon | Diagnostic  |
|------|---|
| 1    | AETEK C62-084-91-770<br>C62-8p @ 204 name<br>192.168.10.204<br>68:8D:B6:00:CC:00<br>Port: 10 ✓ Connection ok<br>Speed: 100M ✓ Cable Status ok |
| 3    | Avigilon 12.0-H4F-DO1-IR<br>12.0-H4F-DO1-IR(110140)<br>192.168.10.153<br>00:1F:92:01:AE:3C  |

Back

Device type filter > Show All

Update: 2021/09/29 17:40:48 OK. 0.7s

- AETEK C62-084-91-770  
C62-8p @ 204 name  
192.168.10.204  
68:8D:B6:00:CC:00
- Avigilon 8.0-H4A-B2  
8.0-H4A-B2(1361590)  
192.168.10.120  
00:18:85:14:C6:B6
- Avigilon 12.0-H4F-DO1-IR  
12.0-H4F-DO1-IR(110140)  
192.168.10.153  
00:1F:92:01:AE:3C
- AETEK H60-084-30-250  
H60-8p @ 203 name  
192.168.10.203  
68:8D:B6:00:CB:00
- AETEK H60-084-30-250  
H60-8p @ 209 name  
192.168.10.209  
68:8D:B6:00:D1:00
- AETEK M6000-AIW  
M6000-AIW  
192.168.10.165  
68:8D:B6:01:E1:B1
- Sony SNC-VB635


## Technical Specifications - Software

| IP Surveillance Graphical User Interface Specifications |   |
|---|---|
| Auto Discovery  | Discover IP cameras complying ONVIF automatically   |
| Topology View   | Generate Topology maps to manage IP cameras   |
| Traffic Monitor   | Comprehensive chart to show traffic status  |
| Cable Diagnostic  | Real time to verify the cable status  |
| PoE Management  | Reboot IP camera, alive checking, PoE configuration, PoE status, Link status  |
| PoE Management  |   |
| Port Configuration                                      | Supports per port PoE configuration function  |
| PoE Scheduling  | Supports per port PoE scheduling to turn on/off the PoE devices (PDs).  |
| Auto-checking   | Check the link status of PDs. Reboot PDs if there is no responses   |
| Power Delay   | The switch provides power to the PDs based on delay time when PoE switch boots up, in order to protect switch from misuse of the PDs.   |
| Layer 2 Switching Specifications                        |   |
| Spanning Tree Protocol (STP)                            | MAC Bridges Standard Spanning Tree 802.1d, Rapid Spanning Tree (RSTP) 802.1w, Multiple Spanning Tree (MSTP) 802.1s  |
| IP/Mac Port Trunking                                    | Link Aggregation Control Protocol (LACP) IEEE 802.3ad , Static aggregation.   |
| VLAN  | Supports up to 4K VLANs simultaneously (out of 4096 VLAN IDs), Port-based VLAN, 802.1Q tag-based VLAN   |
| IGMP v1/v2 Snooping                                     | IGMP limits bandwidth-intensive multicast traffic to only the requesters.   |
| Layer 3 Switching Specifications                        |   |
| DHCP Server   | Assign IP to DHCP clients   |
| Security  |   |
| Port Security   | Locks MAC addresses to ports, and limits the number of learned MAC address  |
| Storm Control   | Prevents traffic on a LAN from being disrupted by a broadcast, multicast, or unicast storm on a port  |
| Loop Protection   | To prevent unknown unicast, broadcast and multicast loops in Layer 2 switching configurations.  |
| QoS   |   |
| Classification  | Port based, 802.1p VLAN priority based  |
| Bandwidth Control                                       | Ingress policer, Egress shaping and rate control, Per port  |
| Management software                                     |   |
| Port Mirroring  | Traffic on a port can be mirrored to another port for analysis with a network analyzer  |
| IEEE 802.1ab (LLDP)                                     | Used by network devices for advertising their identities, capabilities, and neighbors on an IEEE 802ab local area network   |
| Web GUI Interface                                       | Built-in switch configuration utility for browser-based device configuration  |
| SNMP  | SNMP version1, 2c, 3  |
| Flow Control  | The IEEE 802.3x standard for monitoring high speed switched networks. It gives complete visibility into the use of networks enabling performance optimization, accounting/billing for usage, and defense against security threats |
| Firmware Upgrade  | Web browser upgrade HTTP and TFTP   |
| NTP   | Network Time Protocol (NTP) is a networking protocol for clock synchronization between computer systems over packet-switched  |
| Other Management  | System, HTTP, HTTPS, DHCP Client, Cable Diagnostics, Syslog, IPV4/IPV6 Management   |

## Technical Specifications-Hardware

|  | C62-050-30-A   | C62-050-30-B   |
|--|--|--|
| <b>Software function: NTS(Monitoring and management of surveillance)</b> |  |  |
| NTS Edge   | support  | support  |
| NTS Server   | support  | support  |
| <b>Networking</b>  |  |  |
| Total Gigabit Ethernet Ports   | 6  | 6  |
| Gigabit Ethernet 802.3af/at PoE Ports                                    | 4  | 4  |
| Gigabit Ethernet 802.3af/at/bt PoE Ports                                 | 1  | 1  |
| Gigabit Ethernet PoE PD Ports (RJ45)                                     | 1  | 1  |
| Forwarding Capacity  | 8.928 Mpps   | 8.928 Mpps   |
| Mac Table  | 8K   | 8K   |
| Jumbo Frames   | 9,216 Bytes  | 9,216 Bytes  |
| Switching Capacity   | 12 Gbps  | 12 Gbps  |
| <b>Power</b>   |  |  |
| Input Power  | bt PoE   | bt PoE   |
| ESD  | Contact ±6 KV, Air ±8 KV   | Contact ±6 KV, Air ±8 KV   |
| Input PoE PD Power Pin Assignment  | 12(-), 36(+), 45(+), 78(-) or<br>12(+), 36(-), 45(+), 78(-)  | 12(-), 36(+), 45(+), 78(-) or<br>12(+), 36(-), 45(+), 78(-)  |
| Output Power per PoE Port  | Port 1-4 :<br>PoE IEEE 802.3af (Max. 15.4W)<br>PoE+ IEEE 802.3at (Max. 30W)<br>Port 5 :<br>PoE++ IEEE 802.3bt (Max. 60W) | Port 1-4 :<br>PoE IEEE 802.3af (Max. 15.4W)<br>PoE+ IEEE 802.3at (Max. 30W)<br>Port 5 :<br>PoE++ IEEE 802.3bt (Max. 60W) |
| Output PoE Power Pin Assignment  | Port 1-4 : 12(+),36(-)<br>Port 5 : 12(-), 36(+), 45(+), 78(-)  | Port 1-4 : 12(+),36(-)<br>Port 5 : 12(-), 36(+), 45(+), 78(-)  |
| Output Power per DC Port   | 1 x 12V DC@2.5A<br>1 x 24V DC@1.25A  | 1 x 12V DC@2.5A<br>1 x 24V DC@1.25A  |
| Standby Power Consumption  | 4.32W  | 4.32W  |
| PoE Output Power Budget  | 72W  | 72W  |
| <b>Mechanical</b>  |  |  |
| Dimensions (W x D x H)   | H90×φ185.16 mm   | H90×φ185.16 mm   |
| Weight   | 1 kg (2.2 lb)  | 1 kg (2.2 lb)  |
| DI   | Dry Contact:<br>Logic level 1: Close to GND<br>Logic level 0: Open   | Dry Contact:<br>Logic level 1: Close to GND<br>Logic level 0: Open   |
| DO   | 24V DC Max (100mA)   | 24V DC Max (100mA)   |
| Cooling Fan  | Fanless  | Fanless  |
| <b>Environmental limits</b>  |  |  |
| Operating Temperature  | 0°C ~ 50°C (32°F ~ 122°F)  | 0°C ~ 50°C (32°F ~ 122°F)  |
| Storage Temperature  | -20°C ~ 70°C (-4°F ~ 158°F)  | -20°C ~ 70°C (-4°F ~ 158°F)  |
| Operating Humidity   | 10% to 90% non-condensing  | 10% to 90% non-condensing  |
| <b>Regulatory/ Approvals</b>   |  |  |
| EMC  | CE, FCC, VCCI, C-Tick  | CE, FCC, VCCI, C-Tick  |
| Safety   | EN62368-1  | EN62368-1  |
| MTBF   | >50000 hours   | >50000 hours   |
| <b>Optional Accessories</b>  |  |  |
| SFP Module   | SFP Module Model Table   |  |

## Ordering Information

| Ceiling PoE Line  |   |  |  |
|---|---|--|--|
|  | <b>C62-050-30-A</b> <ul style="list-style-type: none"> <li>• 1xGbE bt PD PoE Input</li> <li>• 1xGbE bt PoE + 4xGbE at PoE PSE Output</li> <li>• 12V/24VDC Output</li> </ul> |  | <b>C62-050-30-B</b> <ul style="list-style-type: none"> <li>• 1xGbE bt PD PoE Input</li> <li>• 1xGbE bt PoE + 4xGbE at PoE PSE Output</li> <li>• 12V/24VDC Output</li> <li>• Support Daisy-Chain</li> </ul> |

## Related Product

### L2 PRO bt PoE Switch Line



#### **C62-044-91-380**

- 4xGbE bt PoE + 2xGbE RJ45 + 2xGbE SFP Switch
- 380W Power Budget



#### **C62-084-91-770**

- 8xGbE bt PoE + 2xGbE RJ45 + 2xGbE SFP Switch
- 770W Power Budget